

ZERMA

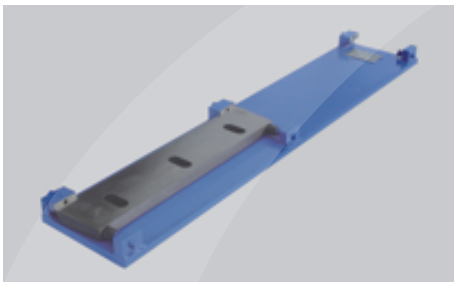
THE HOME OF SIZE REDUCTION

Shredders // **Granulators** // Pulverizers //
Accessories

GSL // GSE // **GSC** // GSH // GSP // ZHM

GSC 300

COMPACT SOUNDPROOFED GRANULATOR



Rotor and stator knives are pre-set outside the machine prior to installation in a supplied fixture. This makes awkward adjustment inside the machine unnecessary.



The GSC granulators are available with different rotor options to fit different applications, all rotors feature the V-cut technology creating a high quality regrind.



To minimize the needed floor space and make the machine easy to move, machine controls and electrical cabinet are integrated into the machines soundproof housing.

GENERAL DESCRIPTION

The GSC compact/sound proof granulators are designed with a complete sound proof enclosure resulting in an extremely quiet operation. Different rotor designs are available in widths ranging from 300 mm to 1400 mm with a diameter of 300 mm. The completely welded cutting chamber in conjunction with the "V" type rotor design ensures dependability in operation and universal application use. While it delivers excellent sound proofing capabilities, it still offers easy and quick access to the cutting chamber during rotor and stator knife changes, servicing or screen changes. The sound dampening material used in these machines is based on the latest technological research.

APPLICATIONS

The cutting geometry of the GSC series allows even voluminous materials to be ground. The complete GSC series line achieves a high quality regrind independent of the material type or form such as injection moulded parts, blow moulded parts, profiles, sheets, film, etc. The 300 series GSC machines are mainly used in inline operations for processing of rejected products, or runners and sprues. The small footprint and easy movability make the machines very easy to place in existing operations.

ADVANTAGES

- **Knives are adjusted outside of the machine**
- **Compact design**
- **Different rotor types available**
- **Soundproofed housing**
- **Aggressive tangential infeed**

ENGLISH

PLASTIC SIZE REDUCTION
RUBBER SIZE REDUCTION
WOOD SIZE REDUCTION
E-WASTE SIZE REDUCTION



ZERMA

GSC COMPACT SOUND- PROOFED GRANULATOR



PLASTIC
SIZE
REDUCTION

WOOD
SIZE
REDUCTION

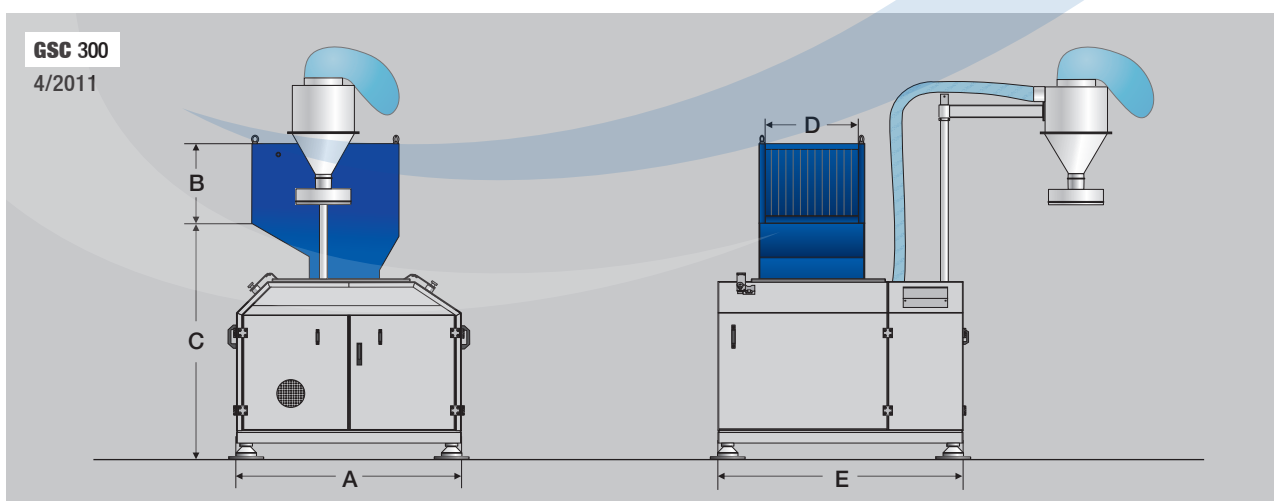
ZERMA. THE
HOME OF SIZE
REDUCTION



SPECIFICATIONS

Type GSC	300/300	300/600	300/1000	300/1400
Rotor diameter (mm)	300	300	300	300
Rotor width (mm)	300	600	1000	1400
Drive capacity (kW)	7.5	11	18.5	22
Rotor knives (rows)	3	3	3	3
Stator blades (rows)	2	2	2	2
Screen size (mm)	>6	>6	>6	>6
Effective working area (mm)	400 x 290	400 x 590	400 x 990	400 x 1400
A (mm)	1550	1550	1550	1660
B (mm)	420	420	420	420
C (mm)	1570	1570	1570	1645
D (mm)	300	590	990	1400
E (mm)	1360	1680	1950	2220

DIMENSIONS



5 Xinjie Rd XinQiao Township Ind. Park, Songjiang Shanghai,
Zip: 201612, China
PHONE : +86 21 57645573 FAX : +86 21 57646766
E-MAIL : INFO@ZERMA.COM

ZERMA MACHINERY & RECYCLING TECHNOLOGY CO. LTD.
SHANGHAI CHINA

WWW.ZERMA.COM