

ZERMA

THE HOME OF SIZE REDUCTION

Shredders // **Granulators** // Pulverizers //
Accessories

GSL // GSE // **GSC** // GSH // GSP // ZHM

GSC 700

COMPACT SOUNDPROOFED GRANULATOR



Rotor and stator knives are pre-set outside the machine prior to installation in a supplied fixture. This makes awkward adjustment inside the machine unnecessary.



In order to keep the GSC series as compact as possible, motor and hydraulic opening system are integrated into the sound dampening enclosure of the machine.



The user friendly design of the GSC series granulators allows quick and easy access to the cutting chamber for maintenance and cleaning.

GENERAL DESCRIPTION

The GSC compact/sound proof granulators are designed with a complete sound proof enclosure resulting in an extremely quiet operation. Different rotor designs are available in widths ranging from 700 mm to 1400 mm with a diameter of 700 mm. The completely welded cutting chamber in conjunction with the "V" type rotor design ensures dependability in operation and universal application use. While it delivers excellent sound proofing capabilities, it still offers easy and quick access to the cutting chamber during rotor and stator knife changes, servicing or screen changes. The sound dampening material used in these machines is based on the latest technological research.

APPLICATIONS

The cutting geometry of the GSC series allows even voluminous materials to be ground. The complete GSC series line achieves a high quality regrind independent of the material type or form such as injection moulded parts, blow moulded parts, profiles, sheets, film, etc. The 700 series GSC machines are mainly used as central granulators for processing of large injected or blow moulded products as well as film. The integrated sound proofing makes it possible to easily place the machine in existing operations. With different rotor designs and a wide variety of options the machines can be tailored for many different applications.

ADVANTAGES

- **Knives are adjusted outside of the machine**
- **Compact design**
- **Different rotor types available**
- **Soundproofed housing**
- **Aggressive tangential infeed**

ENGLISH

PLASTIC SIZE REDUCTION
RUBBER SIZE REDUCTION
WOOD SIZE REDUCTION
E-WASTE SIZE REDUCTION



ZERMA

GSC COMPACT SOUND- PROOFED GRANULATOR



PLASTIC
SIZE
REDUCTION

WOOD
SIZE
REDUCTION

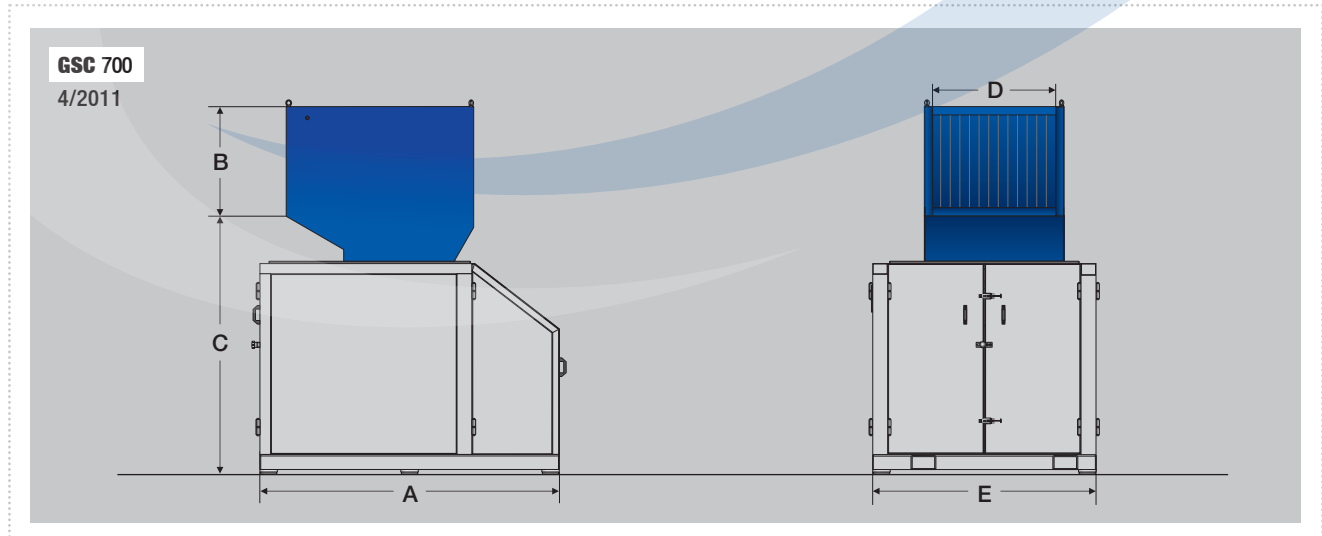
ZERMA. THE
HOME OF SIZE
REDUCTION



SPECIFICATIONS

Type GSC	700/700	700/1000	700/1400
Rotor diameter (mm)	500	700	700
Rotor width (mm)	700	1000	1400
Drive capacity (kW)	45	55	55
Rotor knives (rows)	5 or 7	5 or 7	5 or 7
Stator blades (rows)	2	2	2
Screen size (mm)	>6	>6	>6
Effective working area (mm)	720 x 700	720 x 990	720 x 1400
A (mm)	2560	2560	2560
B (mm)	740	740	740
C (mm)	2140	2140	2240
D (mm)	700	990	1400
E (mm)	1560	1850	2210

DIMENSIONS



5 Xinjie Rd XinQiao Township Ind. Park, Songjiang Shanghai,
Zip: 201612, China
PHONE : +86 21 57645573 FAX : +86 21 57646766
E-MAIL : INFO@ZERMA.COM

ZERMA MACHINERY & RECYCLING TECHNOLOGY CO. LTD.
SHANGHAI CHINA

WWW.ZERMA.COM

Subject to technical modification