

ZERMA

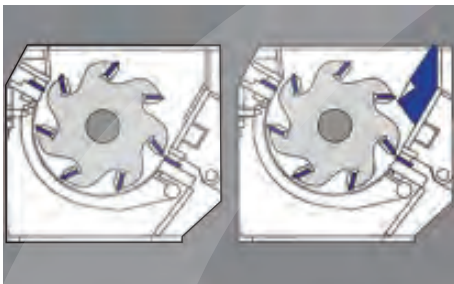
THE HOME OF SIZE REDUCTION

Shredders // **Granulators** // Pulverizers //
Accessories

GSL // GSE // GSC // **GSH** // GSP // ZHM

GSH 800

HEAVY DUTY GRANULATOR



The easily removable deflector wedge acts as a third stator blade and can be used to adjust the aggressiveness of the rotor at the first cutting point.



The GSH granulators are available with different rotor options to fit different applications, all rotors feature the V-cut technology creating a high quality regrind.



For abrasive applications the GSH granulators can be equipped with rotors with key parts manufactured from highly wear resistant steel as well as weld on hard facing.

GENERAL DESCRIPTION

The heavy duty granulators of the GSH 800 series offer a wide array of different rotor designs with widths ranging from 1200 mm to 2000 mm with a diameter of 800 mm. The completely welded heavy steel construction is designed to withstand the most demanding and universal applications. Rotor bearings, knife mounts and rotor shaft are oversized. The standard V-cut creates a high quality regrind with a very low percentage of fines in the output material. The removable third stator blade is acting as a deflector wedge and allows the machine to be quickly adjusted to different application scenarios. Other standard features include easily replaceable wear plates in the cutting chamber as well as outboard bearings reducing the risk of contamination.

APPLICATIONS

The wide range of rotors and hopper styles allow the GSH machines to be tailored to almost every application in the plastic recycling field, mainly with high throughput requirements. The GSH 800 series can be used to grind large thick walled parts down to a granule in one step, or be used as a second step granulator after a ZXS shredder to reach very high throughput rates. When used to grind light materials, such as bottles the throughput can be greatly increased with the addition of a ZERMA force feeding device. For abrasive, contaminated or highly filled materials the machines can be equipped with special wear protections, such as hard facing of the rotor and housing and key parts manufactured from highly wear resistant steels.

ADVANTAGES

- **Knives are adjusted outside of the machine**
- **Specially developed deflector wedge**
- **Wide choice of rotors**
- **Well thought out housing design**
- **Strong Welded Steel construction**
- **Oversized outboard bearings**

ENGLISH

PLASTIC SIZE REDUCTION
RUBBER SIZE REDUCTION
WOOD SIZE REDUCTION
E-WASTE SIZE REDUCTION



ZERMA

GSH HEAVY DUTY GRANULATOR



ZERMA. THE
HOME OF SIZE
REDUCTION



PLASTIC
SIZE
REDUCTION

RUBBER
SIZE
REDUCTION

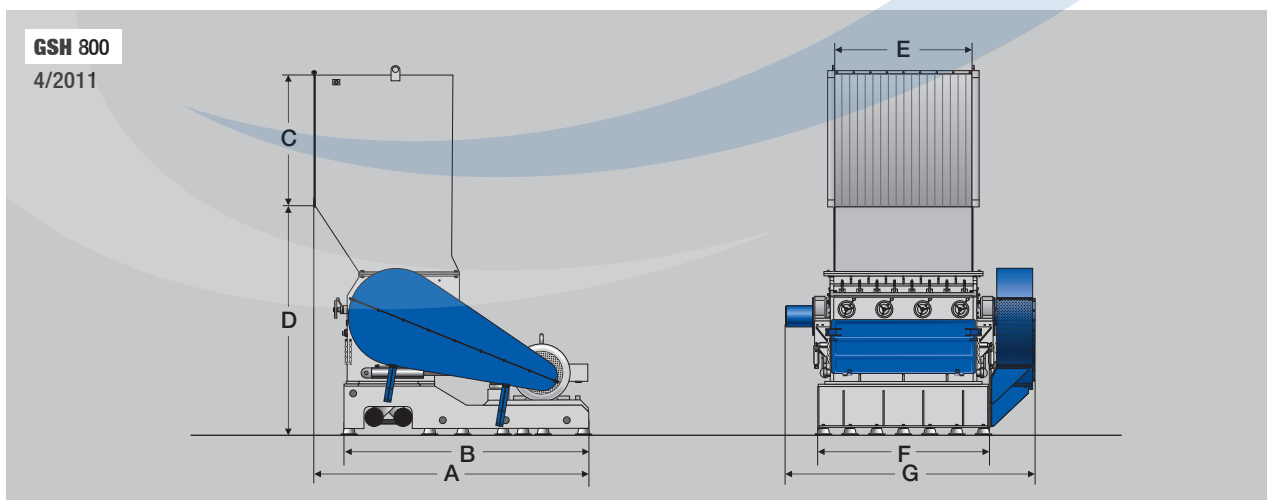
WOOD
SIZE
REDUCTION

E-WASTE
SIZE
REDUCTION

SPECIFICATIONS

Type GSH	800/1200	800/1600	800/2000
Rotor diameter (mm)	800	800	800
Rotor width (mm)	1200	1600	2000
Drive capacity (kW)	132	160	2 x 160
Rotor knives (rows)	5 or 7 or 9	5 or 7 or 9	7 or 9
Stator blades (rows)	2 or 3	2 or 3	2 or 3
Screen size (mm)	>8	>8	>8
Effective working area (mm)	1150 x 915	1570 x 915	1960 x 915
A (mm)	3100	3175	2755
B (mm)	2800	2800	2600
C (mm)	1200	1400	1600
D (mm)	2570	2685	3055
E (mm)	1150	1570	1965
F (mm)	1535	1970	2250
G (mm)	2430	2860	3465

DIMENSIONS



5 Xinjie Rd XinQiao Township Ind. Park, Songjiang Shanghai,
Zip: 201612, China
PHONE : +86 21 57645573 FAX : +86 21 57646766
E-MAIL : INFO@ZERMA.COM

ZERMA MACHINERY & RECYCLING TECHNOLOGY CO. LTD.
SHANGHAI CHINA

WWW.ZERMA.COM