

ZERMA

THE HOME OF SIZE REDUCTION

Shredders // Granulators // Pulverizers // Accessories

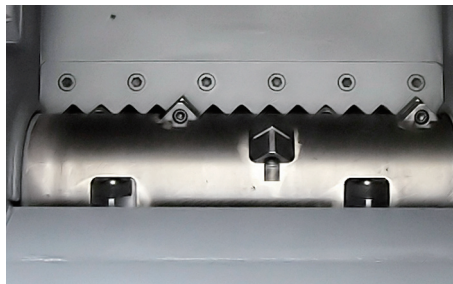
ZBS // ZIS // ZSS // ZRS // ZTS // ZTTS // **ZWS** // ZXS

ZWS 600-1100

WOOD SHREDDER



Robust oversized bearings ensure long lifetime and high service intervals.



The shredders use square knives, producing high quality output. The cutters can be turned after a side is worn out.



Angled hydraulic pusher to ensure optimal material feeding and ingestion.

GENERAL INFORMATION

ZERMA ZWS wood shredders are single shaft shredders featuring an angled hydraulic ram suitable for a wide range of material shapes and sizes. The ZWS shredders are equipped with a ZERMA E style rotor and knife and knife holder fixing system. The final size of the material is determined by the screen which can easily be changed based on requirements. The ZWS shredder can be tailored to individual requirements, this includes different drive powers, knife configurations as well as discharge options.

APPLICATIONS

The ZWS series of single shaft shredders are mainly used in the wood industry to achieve an economic recycling of wood off cuts, pallets or other waste. The machines have been engineered for strength and reliability in daily operation. These shredders can easily be integrated into complete lines with other ZERMA products and accessories such as belts, granulators, etc.

ADVANTAGES

- **Large feeding hopper**
- **Robust welded steel construction**
- **Low speed operation**
- **Advanced rotor / knife mounting system**

ENGLISH

PLASTIC SIZE REDUCTION
RUBBER SIZE REDUCTION
WOOD SIZE REDUCTION
E-WASTE SIZE REDUCTION



ZWS



WOOD
SIZE
REDUCTION

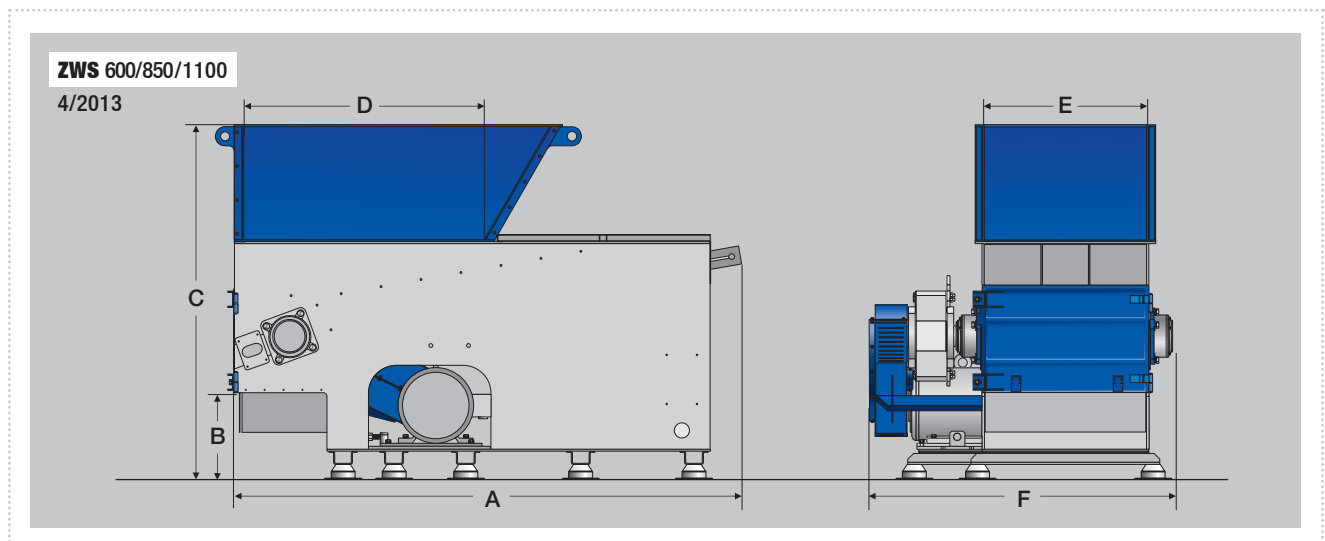
ZERMA. THE
HOME OF SIZE
REDUCTION



SPECIFICATIONS

Type ZWS	600	850	1100
Rotor diameter (mm)	400	400	400
Rotor width (mm)	600	850	1100
Rotor speed (rpm)	100	100	100
Drive capacity (kW)	15	18.5	22
Rotor knives (pcs)	13	20	27
Stator blades (rows)	1	1	1
Ram feeder drive (kW)	1.5	3.75	3.75
Screen size (mm)	>40	>40	>40
Cutting chamber volume (m ³)	0.6	1.25	2
Effective working area (mm)	520 x 470	800 x 820	1080 x 1040
<hr/>			
A (mm)	2060	2725	3235
B (mm)	455	455	455
C (mm)	1790	1880	1985
D (mm)	925	1285	1495
E (mm)	580	860	1140
F (mm)	1335	1540	1885

DIMENSIONS



5 Xinjie Rd XinQiao Township Ind. Park, Songjiang Shanghai,
Zip: 201612, China
PHONE : +86 21 57645573 FAX : +86 21 57646766
E-MAIL : INFO@ZERMA.COM

ZERMA MACHINERY & RECYCLING TECHNOLOGY CO. LTD.
SHANGHAI CHINA

WWW.ZERMA.COM

Subject to technical modification