

# ZERMA

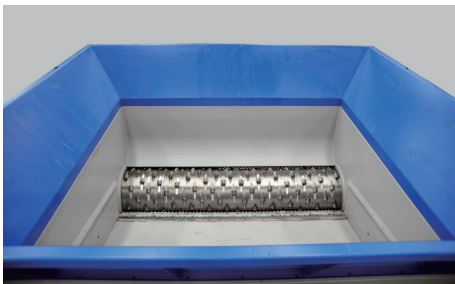
## THE HOME OF SIZE REDUCTION

Shredders // Granulators // Pulverizers // Accessories

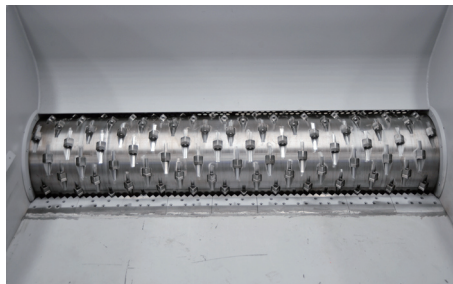
ZBS // ZIS // ZSS // ZRS // ZTS // ZTTS // ZWS // ZXS

## ZWS 1400-2600

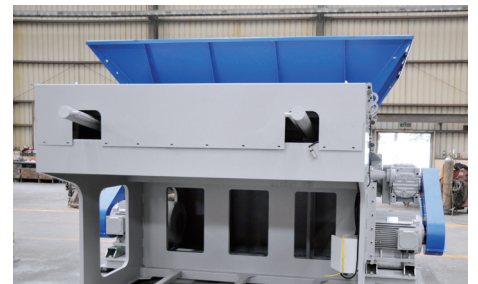
### WOOD SHREDDER



The large feeding hopper allows the machine to be used for a variety of materials.



The rotors are equipped with square knives, producing high quality output. The cutters can be turned after they are worn.



Angled hydraulic pusher to ensure optimal material feeding and ingestion.

### GENERAL INFORMATION

ZERMA ZWS wood shredders are single shaft shredders featuring an angled hydraulic ram suitable for a wide range of material shapes and sizes. The ZWS shredders are equipped with a ZERMA E style rotor and knife and knife holder fixing system. The final size of the material is determined by the screen which can easily be changed based on requirements. The ZWS shredder can be tailored to individual requirements, this includes different drive powers, knife configurations as well as discharge options.

### APPLICATIONS

The ZWS series of single shaft shredders are mainly used in the wood industry to achieve an economic recycling of wood off cuts, pallets or other waste. The machines have been engineered for strength and reliability in daily operation. These shredders can easily be integrated into complete lines with other ZERMA products and accessories such as belts, granulators, etc.

### ADVANTAGES

- Large feeding hopper
- Robust welded steel construction
- Low speed operation
- Advanced rotor / knife mounting system

ENGLISH

PLASTIC SIZE REDUCTION  
RUBBER SIZE REDUCTION  
WOOD SIZE REDUCTION  
E-WASTE SIZE REDUCTION



# ZWS



WOOD  
SIZE  
REDUCTION

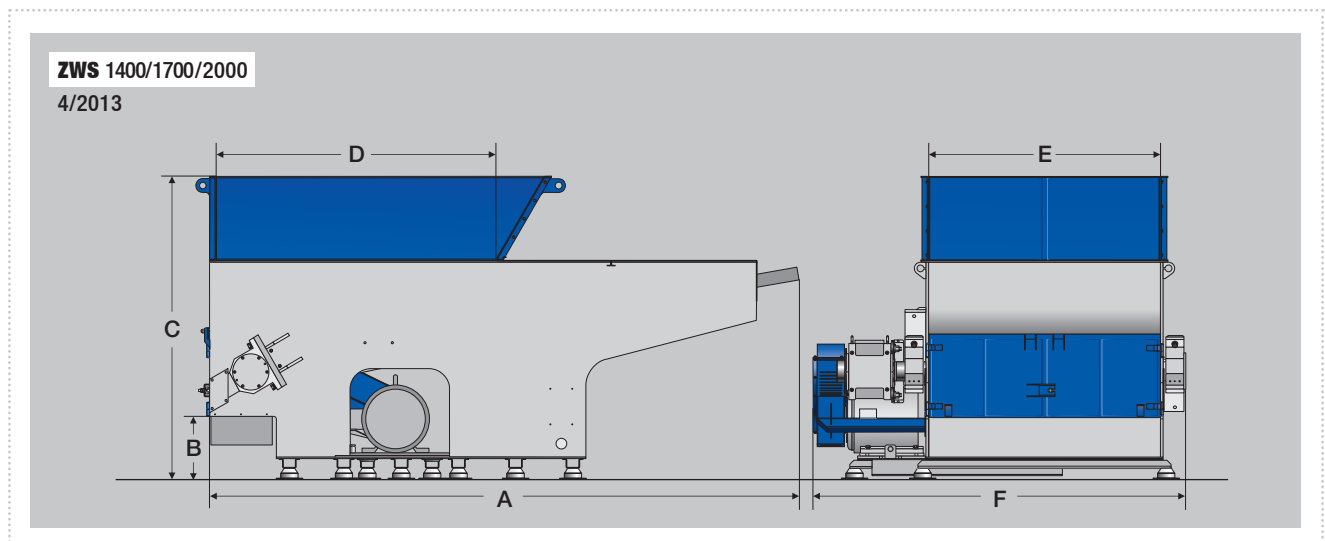
ZERMA. THE  
HOME OF SIZE  
REDUCTION



## SPECIFICATIONS

Type ZWS	1400	1700	2000	2600	2600/600
Rotor diameter (mm)	400	400	400	400	600
Rotor width (mm)	1400	1700	2000	2600	2600
Rotor speed (rpm)	104	104	104	104	104
Drive capacity (kW)	45	55	90	75 x 2	90 x 2
Rotor knives (pcs)	34	41	48	124	186
Stator blades (rows)	1	1	1	2	3
Ram feeder drive (kW)	3.75	3.75	3.75	3.75	3.75
Screen size (mm)	>40	>40	>40	>40	>40
Cutting chamber volume (m <sup>3</sup> )	3.6	4.7	5.5	7.2	8.9
Effective working area (mm)	1360 x 1430	1640 x 1550	1920 x 1550	2480 x 1550	2480 x 1550
<hr/>					
A (mm)	4070	4405	4405	4700	4780
B (mm)	455	455	455	595	695
C (mm)	2170	2220	2240	2370	2725
D (mm)	1885	2050	2260	2040	2200
E (mm)	1420	1700	1980	2540	2540
F (mm)	2415	2735	3080	4270	4415

## DIMENSIONS



5 Xinjie Rd XinQiao Township Ind. Park, Songjiang Shanghai,  
Zip: 201612, China  
PHONE: +86 21 57645573 FAX: +86 21 57646766  
E-MAIL: [INFO@ZERMA.COM](mailto:INFO@ZERMA.COM)

ZERMA MACHINERY & RECYCLING TECHNOLOGY CO. LTD.  
SHANGHAI CHINA

[WWW.ZERMA.COM](http://WWW.ZERMA.COM)

Subject to technical modification