

ZHS+

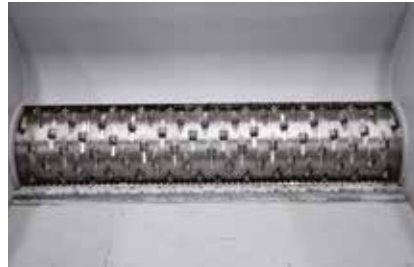
Shredders



- Large feeding hopper
- Robust welded steel construction
- Low speed operation
- Advanced rotor / knife mounting system



The large feeding hopper allows the machine to be used for a variety of materials.



The rotors are equipped with square knives, producing high quality output. The cutters can be turned after they are worn.



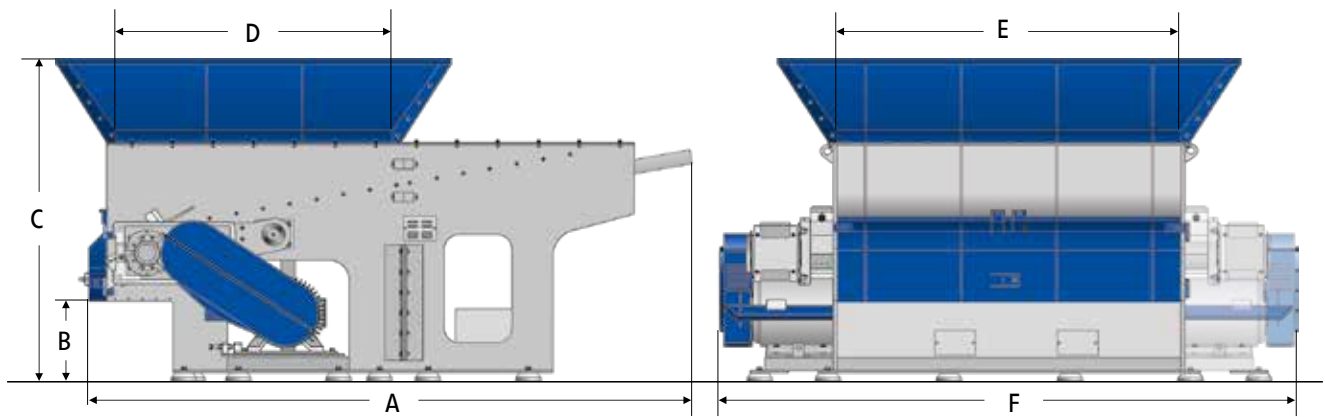
Angled hydraulic pusher to ensure optimal material feeding and ingestion.

Applications

The ZHS series of single shaft shredders are mainly used in the industry to achieve a economic recycling of plastics to wood, paper, and general waste streams. The machines have been engineered for strength and reliability in daily operation. These shredders can easily be integrated into complete lines with other ZERMA products and accessories such as belts, granulators, etc.

General Description

ZERMA ZHS shredders are single shaft shredders featuring an angled hydraulic ram suitable for a wide range of material shapes and sizes. The ZHS shredders are equipped with a ZERMA E style rotor and knife holder fixing system. The final size of the material is determined by the screen which can easily be changed based on requirements. The ZHS shredder can be tailored to individual requirements, this includes different drive powers, knife configurations as well as discharge options.



Technical Specifications

Type	1500	2000	2600
Rotor diameter (mm)	600	600	600
Rotor width (mm)	1400	1960	2520
Rotor speed (rpm)	104	104	104
Drive capacity (kW)	90 / 110	110 / 2 x 75	2 x 90 / 2 x 110
Rotor knives (pcs) D (34 X 34)	68 / 102	96 / 144	124 / 186
Rotor knives (pcs) D (50 X 50)	38 / 57	54 / 81	70 / 105
Stator blades (rows)	1 x 5	1 x 9	1 x 9
Ram feeder drive (kW)	5.5	5.5	5.5
Screen size (mm)	> 40	> 40	> 40
Cutting chamber volume (m ³)	3.6	5.5	7.2
Effective working area (mm)	1400 x 1340	1880 x 1550	2440 x 1159
Weight approx. (kg)	12000	14000	16000

Dimensions

Type	1500	2000	2600
A (mm)	4420	4650	4650
B (mm)	455	455	595
C (mm)	2700	2740	2740
D (mm)	1885	2050	2040
E (mm)	1420	1980	2540
F (mm)	2840	3870	4425

ZERMA Machinery & Recycling Technology (Shanghai) Co., Ltd
 5 Xinjie Rd Xinqiao · Township Ind. Park
 201612 · Songjiang · Shanghai · China
 Phone: +86 21 57645573 · info@zerma.com

